

# HEIM *Unibal*<sup>®</sup>

## SPHERICAL BEARINGS

uniflon

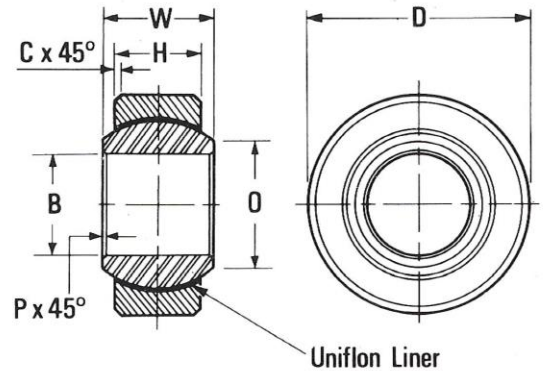
### SPECIFICATION

**HOUSING** STAINLESS STEEL TO SPECIFICATION S80/EN57.

**BALL** STAINLESS STEEL.  
THROUGH HARDENED TO ROCKWELL 'C' 50/54.

**LINER** FILLED P.T.F.E.

ALL DIMENSIONS GIVEN IN INCHES.



## RSTVV series

BEARING NUMBER	B	D	W	H	O	C	P	Ball Diameter	Maximum Static Radial Load in Pounds Approx.	Weight in Pounds Approx.
	Bore	Outside Diameter	Ball Width	Housing Width	Ball Flat Diameter	Chamfer	Chamfer			
	$+0.0000$ $-0.0005$	$+0.0000$ $-0.0005$	$+0.000$ $-0.005$	$+0.005$ $-0.005$		$+0.010$ $-0.000$	$+0.015$ $-0.000$			
RSTVV 2	.1562	.4687	.250	.187	.235	.020	.010	$\frac{11}{32}$	3,000	.007
RSTVV 3	.1875	.5625	.281	.218	.293	.020	.010	$\frac{13}{32}$	4,250	.015
RSTVV 4	.2500	.6562	.343	.250	.364	.022	.016	$\frac{1}{2}$	6,000	.023
RSTVV 5	.3125	.7500	.375	.281	.419	.032	.016	$\frac{9}{16}$	7,550	.031
RSTVV 6	.3750	.8125	.406	.312	.475	.032	.016	$\frac{5}{8}$	9,350	.039
RSTVV 7	.4375	.9062	.437	.343	.530	.032	.016	$\frac{11}{16}$	10,750	.047
RSTVV 8	.5000	1.0000	.500	.390	.600	.032	.016	$\frac{3}{8}$	14,600	.070
RSTVV 9	.5625	1.0937	.562	.437	.670	.032	.016	$\frac{7}{8}$	17,500	.094
RSTVV 10	.6250	1.1875	.625	.500	.739	.032	.016	$\frac{31}{32}$	23,200	.117
RSTVV 12	.7500	1.4375	.750	.593	.920	.044	.032	$1\frac{3}{16}$	33,800	.203
RSTVV 14	.8750	1.5625	.875	.703	.980	.044	.032	$1\frac{5}{16}$	44,100	.273
RSTVV 16	1.0000	1.7500	1.000	.797	1.118	.044	.032	$1\frac{1}{2}$	56,600	.382

These bearings can be cadmium plated on the outside diameter and side faces of the housing at extra cost.

For further information refer to Technical index.